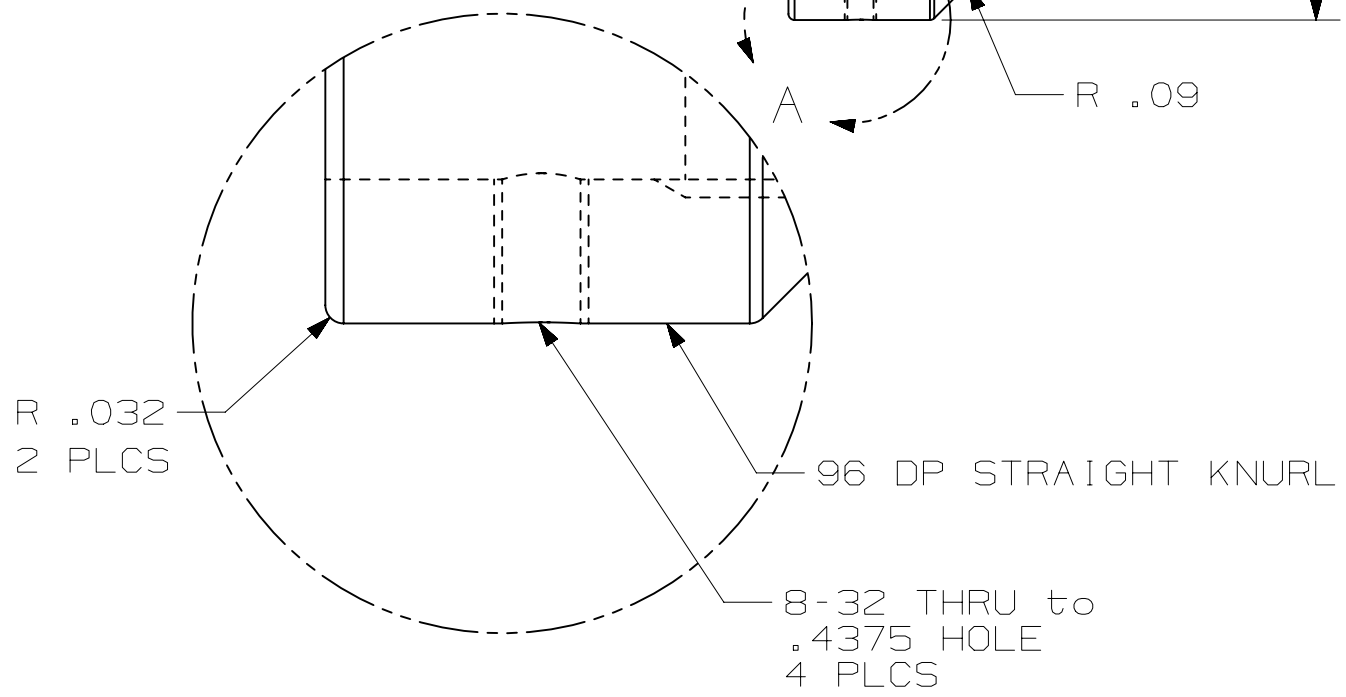
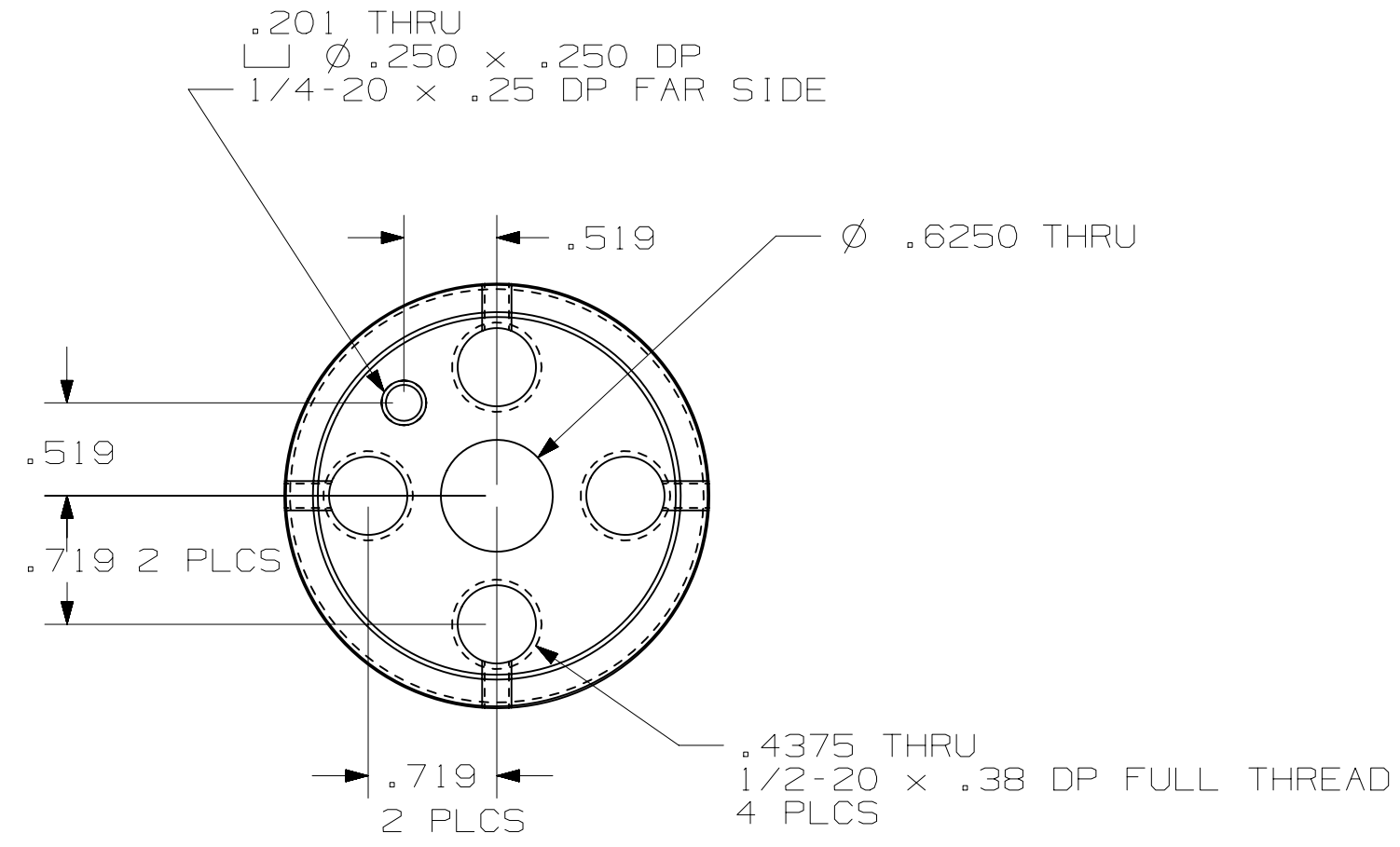
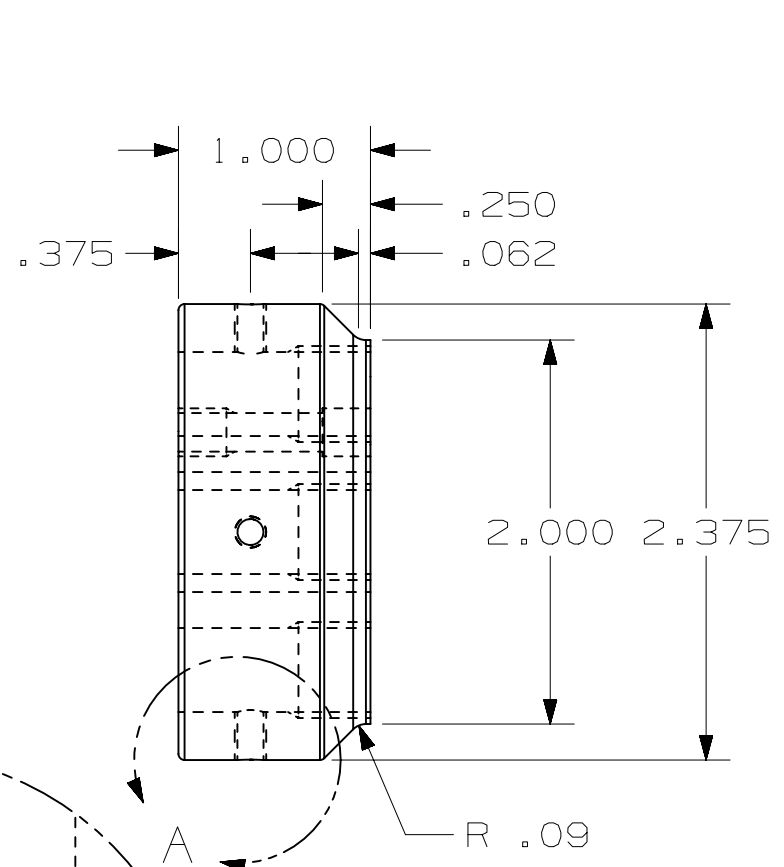


- 1. Material Cast Iron
- 2. Chrome Plate Exterior Surfaces



DETAIL A
 SCALE 1/3

UNLESS OTHERWISE SPECIFIED		TITLE	
ALL DIMENSIONS ARE IN INCHES		TURRET	
TOLERANCES		SIZE	CAGE CODE
DECIMALS	ANGULAR	B	DWG NO
.X ± .1	± .5°		EE 2638
.XX ± .03			REV
.XXX ± .010			IR
.XXXX ± .0005	.125/√		
SURFACE ROUGHNESS		SCALE FULL	
BREAK SHARP EDGES .010 MAX		SHEET 1 of 1	
DRAWN BY	DATE		
Paul Vermilyea	2/19/2012		