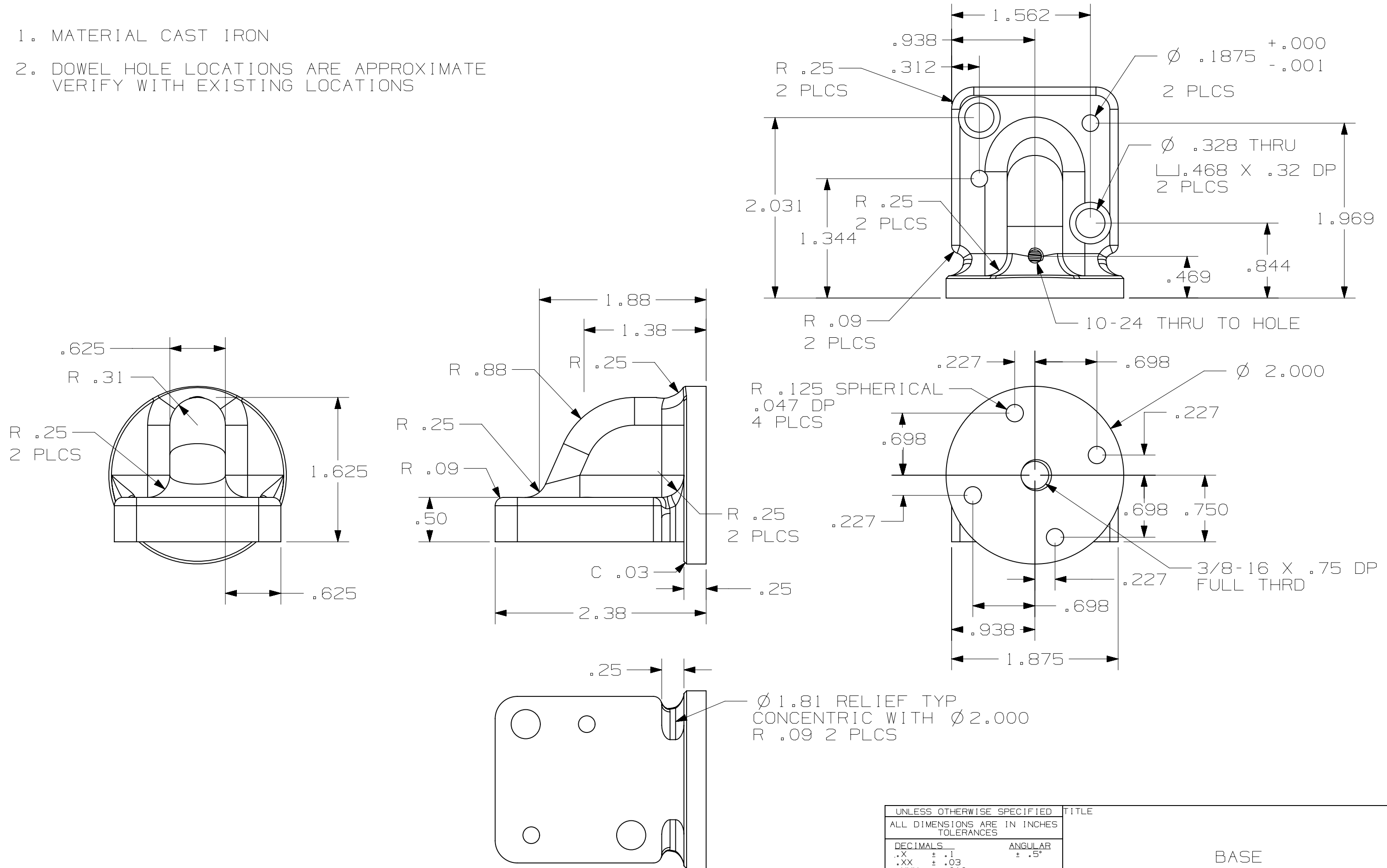


1. MATERIAL CAST IRON
2. DOWEL HOLE LOCATIONS ARE APPROXIMATE
VERIFY WITH EXISTING LOCATIONS



UNLESS OTHERWISE SPECIFIED		TITLE	
ALL DIMENSIONS ARE IN INCHES		BASE	
TOLERANCES		SIZE	CAGE CODE
DECIMALS	ANGULAR	B	
.X ± .1	± .5°	DWG NO	REV
.XX ± .03		EE 2531	IR
.XXX ± .010			
.XXXX ± .0005	.125	SCALE	SHEET
SURFACE ROUGHNESS	✓	FULL	1 of 1
BREAK SHARP EDGES .010 MAX			
DRAWN BY	DATE		
Paul Vermilyea	2/25/2012		